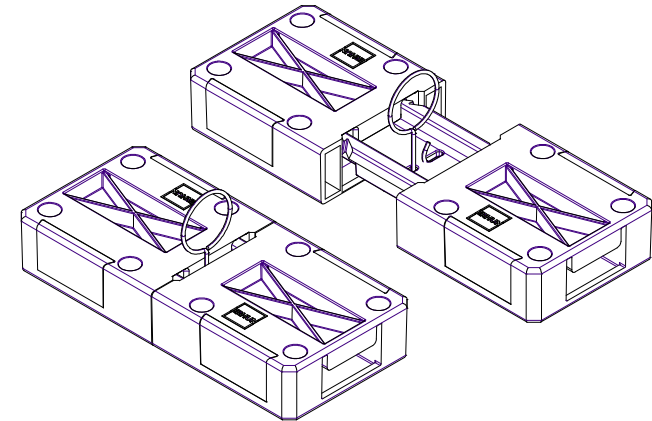
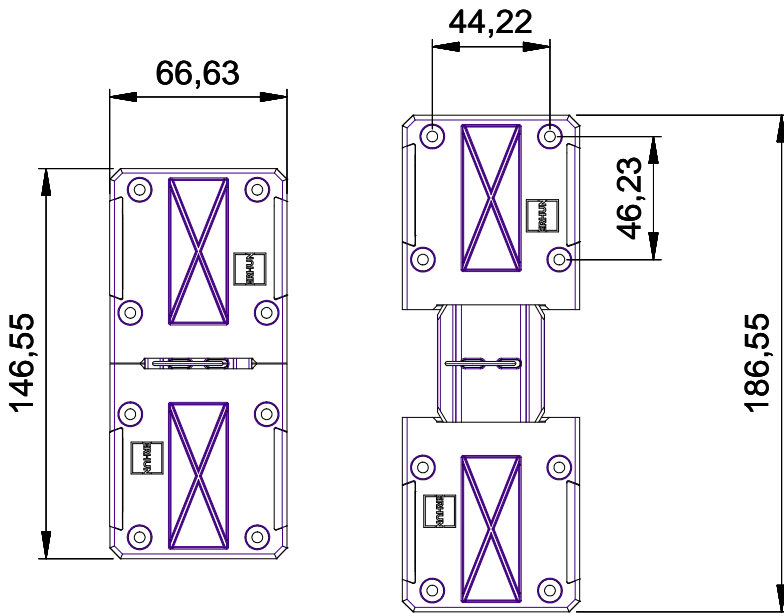
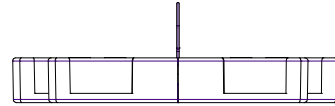
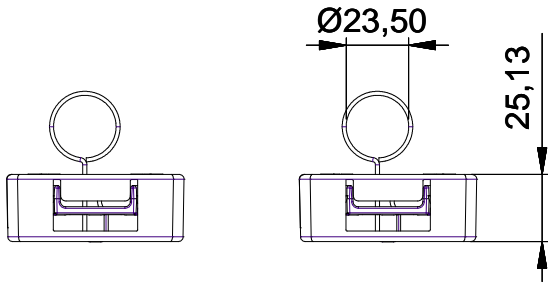


REVISIONS				
ZONE	REV.	DESCRIPTION	DATE	APPROV.



Iso Scale : 1:2

		NAME	DATE	SIG.	SMC_02 MEKANİZMA		
DRAWN							
DESIGN							
CHECKED							
APPROVED					SIZE A3	REV.	DWG. No.
SURF. TEXTURE		OVERALL TOL.		SCALE 1:2	SHEET 1 OF 1 SHEETS		